

# MLPB COMPACT LED RANGE

## MAIN FEATURES

- Multi-voltage (10-30V)
- EMC (ECE R10) approved
- Three selectable flash patterns (eight-flash, rotating & quad flash)
- Manufactured with 18 x 0.5W LEDs
- Ultra-compact and low-profile design
- Low current consumption: 0.8A @ 12V, 0.4A @ 24V
- 110mm PCD for 3-point fitting models (MLPB050)
- Combine with LAP912 seat belt to create beacon + seat belt kit (see page 23)



## KEY POINTS



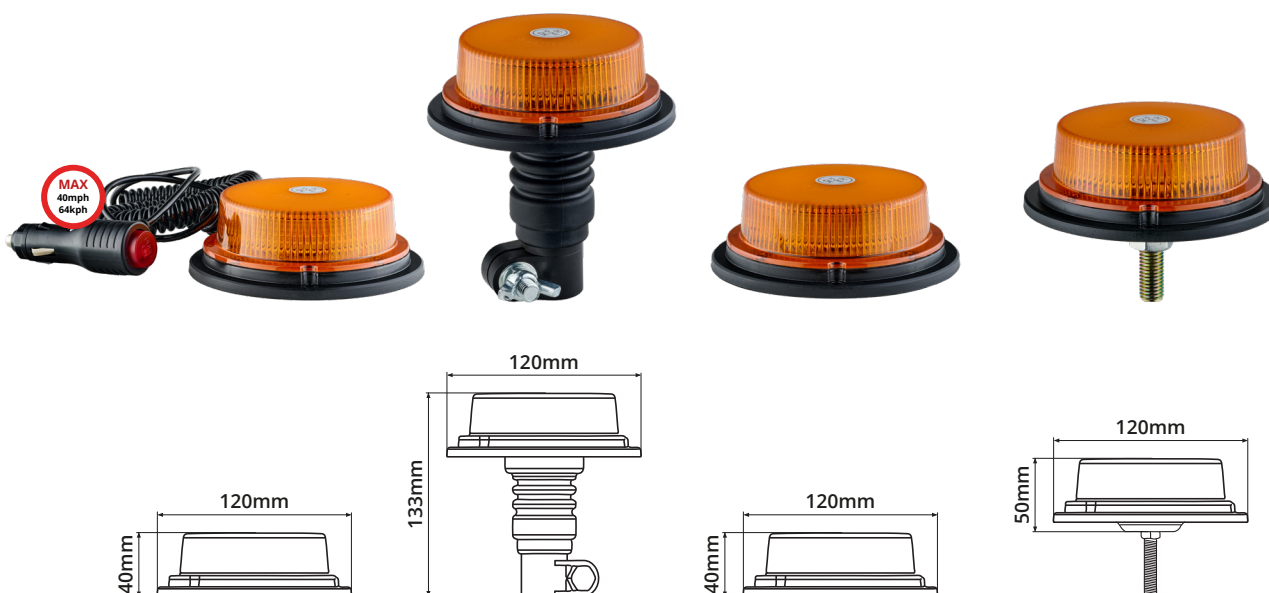
## LENS COLOURS



AMBER



GREEN



MLPB020	MLPB040	MLPB050	MLPB060
Magnetic	Flexi-DIN	3-Point	Single Point
0.3KG	0.3KG	0.1KG	0.1KG