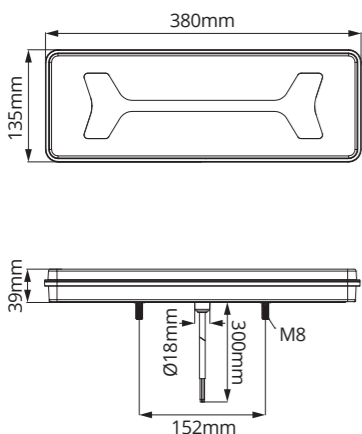
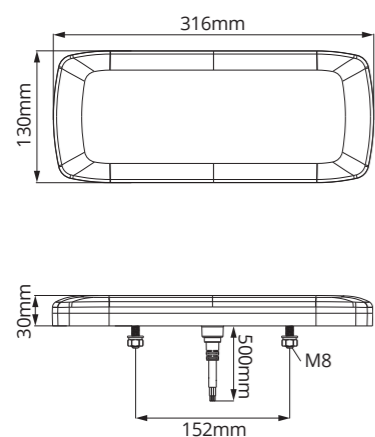


LAPCV115



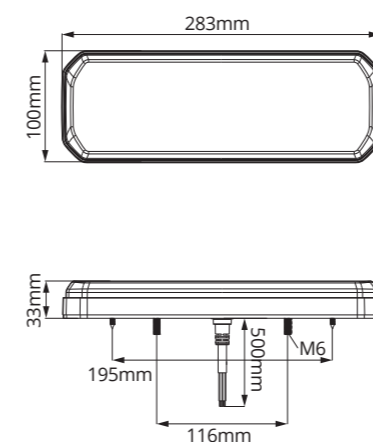
Part Number	Left/Right	Stop	Tail	Indicator Style		Reflex	Fog	Reverse	Licence Plate
				Progressive	Standard				
LAPCV115-L	L	✓	✓	✓	-	✓	✓	✓	-
LAPCV115-R	R	✓	✓	✓	-	✓	✓	✓	-

LAPCV118



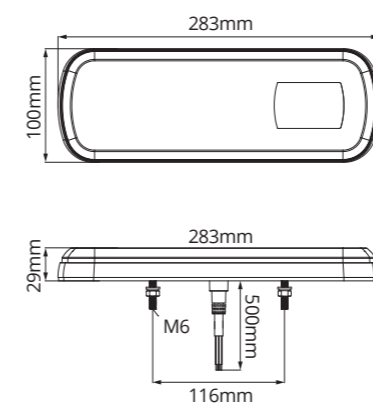
Part Number	Left/Right	Stop	Tail	Indicator Style		Reflex	Fog	Reverse	Licence Plate
				Progressive	Standard				
LAPCV118-L	L	✓	✓	✓	-	✓	✓	✓	-
LAPCV118-R	R	✓	✓	✓	-	✓	✓	✓	-

LAPCV117



Part Number	Left/Right	Stop	Tail	Indicator Style		Reflex	Fog	Reverse	Licence Plate
				Progressive	Standard				
LAPCV117	L/R	✓	✓	✓	-	✓	✓	✓	-

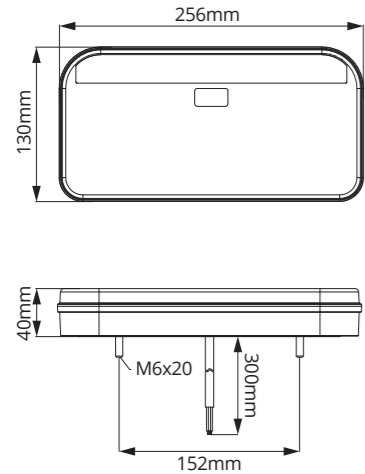
LAPCV103



Part Number	Left/Right	Stop	Tail	Indicator Style		Reflex	Fog	Reverse	Licence Plate
				Progressive	Standard				
LAPCV103	L/R	✓	✓	✓	-	✓	✓	✓	-

LAPCV119

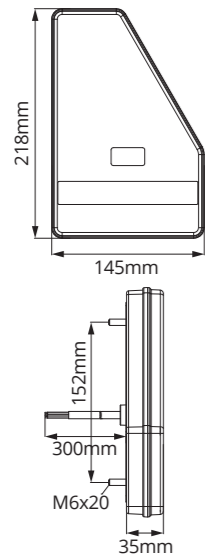
ECE APPROVED **R10 APPROVED** **2 YEAR WARRANTY** **IP67 INGRESS PROTECTION** **MULTI-VOLTAGE 10-30V** **STANDARD INDICATOR**



Part Number	Left/Right	Stop	Tail	Indicator Style		Reflex	Fog	Reverse	Licence Plate
				Progressive	Standard				
LAPCV119-L	L	✓	✓	-	✓	✓	✓	✓	-
LAPCV119-R	R	✓	✓	-	✓	✓	✓	✓	-

LAPCV120

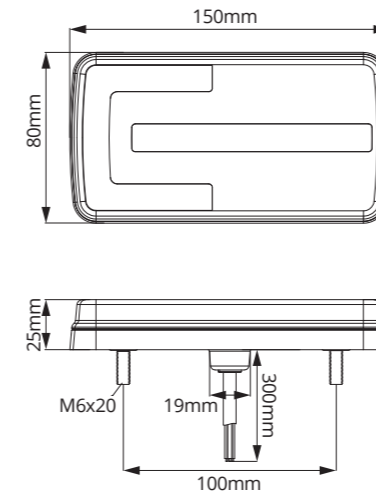
ECE APPROVED **R10 APPROVED** **2 YEAR WARRANTY** **IP67 INGRESS PROTECTION** **MULTI-VOLTAGE 10-30V** **STANDARD INDICATOR**



Part Number	Left/Right	Stop	Tail	Indicator Style		Reflex	Fog	Reverse	Licence Plate
				Progressive	Standard				
LAPCV120-L	L	✓	✓	-	✓	✓	✓	✓	-
LAPCV120-R	R	✓	✓	-	✓	✓	✓	✓	-

LAPCV121

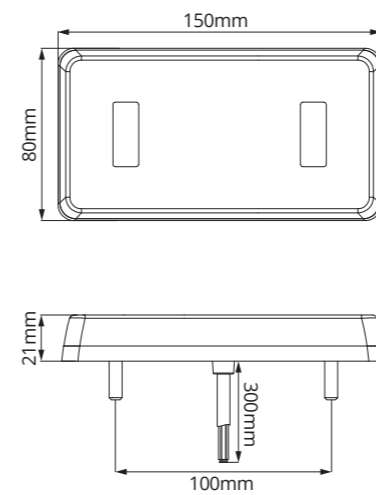
ECE APPROVED **R10 APPROVED** **2 YEAR WARRANTY** **IP67 INGRESS PROTECTION** **MULTI-VOLTAGE 10-30V** **PROGRESSIVE INDICATOR**



Part Number	Left/Right	Stop	Tail	Indicator Style		Reflex	Fog	Reverse	Licence Plate
				Progressive	Standard				
LAPCV121	L/R	✓	✓	✓	-	✓	-	-	-

LAPCV122

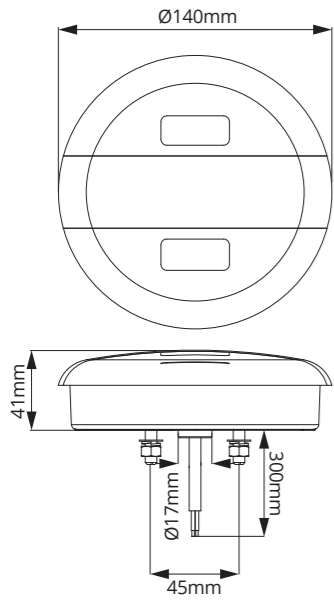
ECE APPROVED **R10 APPROVED** **2 YEAR WARRANTY** **IP67 INGRESS PROTECTION** **MULTI-VOLTAGE 10-30V** **STANDARD INDICATOR**



Part Number	Left/Right	Stop	Tail	Indicator Style		Reflex	Fog	Reverse	Licence Plate
				Progressive	Standard				
LAPCV122	L/R	✓	✓	-	✓	✓	-	-	-

LAPCV123

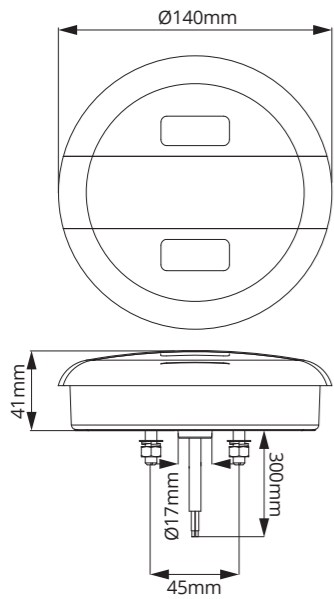
ECE APPROVED **R10 APPROVED** **2 YEAR WARRANTY** **IP67 INGRESS PROTECTION** **MULTI-VOLTAGE 10-30V** **STANDARD INDICATOR**



Part Number	Left/Right	Stop	Tail	Indicator Style		Reflex	Fog	Reverse	Licence Plate
				Progressive	Standard				
LAPCV123	L/R	✓	✓	-	✓	✓	-	-	-

LAPCV124

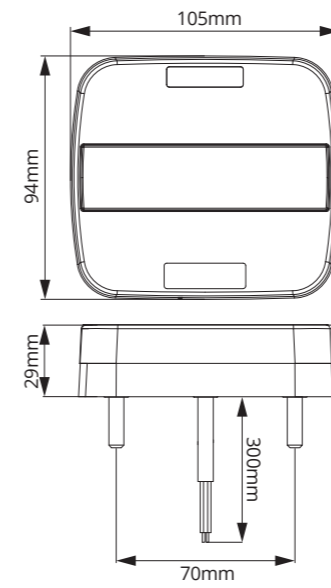
ECE APPROVED **R10 APPROVED** **2 YEAR WARRANTY** **IP67 INGRESS PROTECTION** **MULTI-VOLTAGE 10-30V** **STANDARD INDICATOR**



Part Number	Left/Right	Stop	Tail	Indicator Style		Reflex	Fog	Reverse	Licence Plate
				Progressive	Standard				
LAPCV124	L/R	-	-	-	-	✓	✓	✓	-

LAPCV125

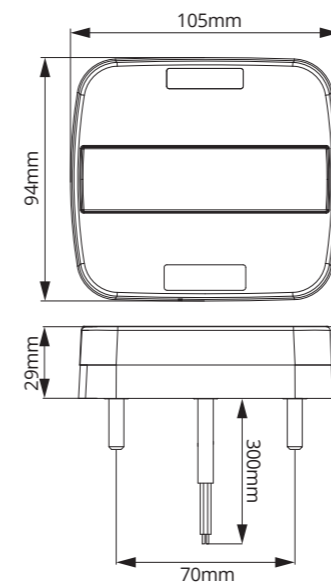
ECE APPROVED **R10 APPROVED** **2 YEAR WARRANTY** **IP67 INGRESS PROTECTION** **MULTI-VOLTAGE 10-30V** **STANDARD INDICATOR**



Part Number	Left/Right	Stop	Tail	Indicator Style		Reflex	Fog	Reverse	Licence Plate
				Progressive	Standard				
LAPCV125	L/R	✓	✓	-	✓	✓	-	-	✓

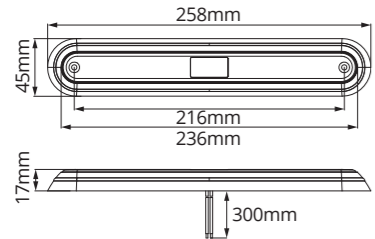
LAPCV126

ECE APPROVED **R10 APPROVED** **2 YEAR WARRANTY** **IP67 INGRESS PROTECTION** **MULTI-VOLTAGE 10-30V** **STANDARD INDICATOR**



Part Number	Left/Right	Stop	Tail	Indicator Style		Reflex	Fog	Reverse	Licence Plate
				Progressive	Standard				
LAPCV126	L/R	✓	✓	-	✓	✓	-	-	-

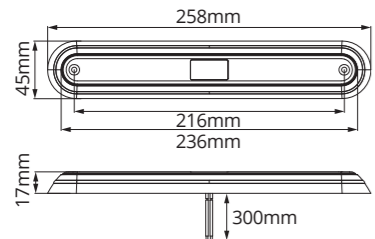
LAPCV127



ECE APPROVED **R10 APPROVED** **2 YEAR WARRANTY** **IP67 INGRESS PROTECTION** **MULTI-VOLTAGE 10-30V** **STANDARD INDICATOR**



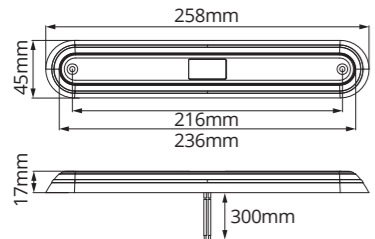
LAPCV128



ECE APPROVED **R10 APPROVED** **2 YEAR WARRANTY** **IP67 INGRESS PROTECTION** **MULTI-VOLTAGE 10-30V** **STANDARD INDICATOR**



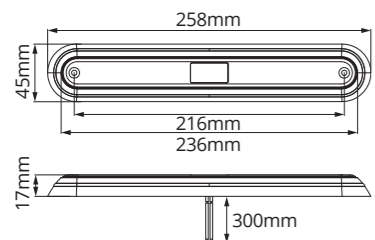
LAPCV129



ECE APPROVED **R10 APPROVED** **2 YEAR WARRANTY** **IP67 INGRESS PROTECTION** **MULTI-VOLTAGE 10-30V**



LAPCV130

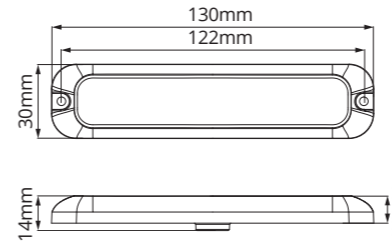


ECE APPROVED **R10 APPROVED** **2 YEAR WARRANTY** **IP67 INGRESS PROTECTION** **MULTI-VOLTAGE 10-30V**



Part Number	Left/Right	Stop	Tail	Indicator Style		Reverse	Surface Mount Bezel	Recess Mount Gasket
				Progressive	Standard			
LAPCV127	L/R	✓	✓	-	✓	-	✓	✓
LAPCV128	L/R	-	-	-	✓	-	✓	✓
LAPCV129	L/R	✓	✓	-	-	-	✓	✓
LAPCV130	L/R	-	-	-	-	✓	✓	✓

LAPCV135



ECE APPROVED **R10 APPROVED** **3 YEAR WARRANTY** **IP69K INGRESS PROTECTION** **MULTI-VOLTAGE 10-30V** **STANDARD INDICATOR**



'HLED' Amber LED Warning Light Range

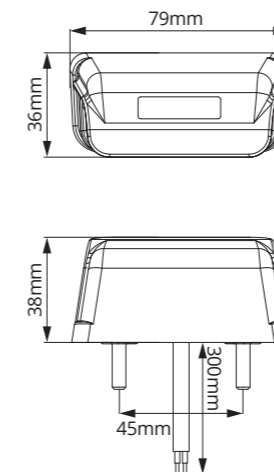


Stop, Tail and Indicator Functions

Part Number	Left/Right	Stop	Tail	Indicator Style		Reflex	Fog	Reverse	Licence Plate
				Progressive	Standard				
LAPCV135	L/R	✓	✓	-	✓	-	-	-	-

LAPCV223

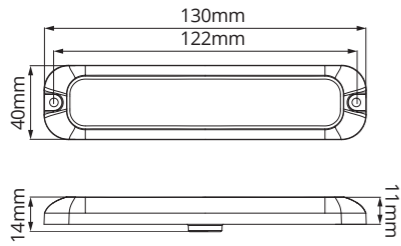
ECE APPROVED **R10 APPROVED** **2 YEAR WARRANTY** **IP67 INGRESS PROTECTION** **MULTI-VOLTAGE 10-30V**



Part Number	Left/Right	Stop	Tail	Indicator Style		Reflex	Fog	Reverse	Licence Plate
				Progressive	Standard				
LAPCV223	N/A	-	-	-	-	-	-	-	✓

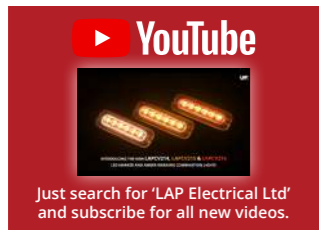
LAPCV214

ECE APPROVED **R65 APPROVED CLASS II** **R10 APPROVED** **3 YEAR WARRANTY** **IP69K INGRESS PROTECTION** **MULTI-VOLTAGE 10-30V**



LAPCV215

ECE APPROVED **R65 APPROVED CLASS II** **R10 APPROVED** **3 YEAR WARRANTY** **IP69K INGRESS PROTECTION** **MULTI-VOLTAGE 10-30V**



LAPCV216

ECE APPROVED **R65 APPROVED CLASS II** **R10 APPROVED** **3 YEAR WARRANTY** **IP69K INGRESS PROTECTION** **MULTI-VOLTAGE 10-30V**

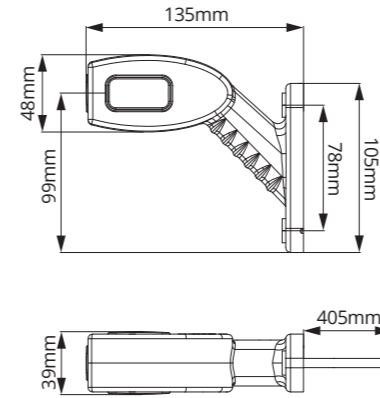


White, Amber or Red Marker Lights Combined with Central R65 Class II Amber Warning Light

Part Number	LED Marker Colour	Marker Function			Central R65 Approved Amber Warning
		Front	Side	Rear	
LAPCV214	White	✓	-	-	✓
LAPCV215	Amber	-	✓	-	✓
LAPCV216	Red	-	-	✓	✓

LAPCV305

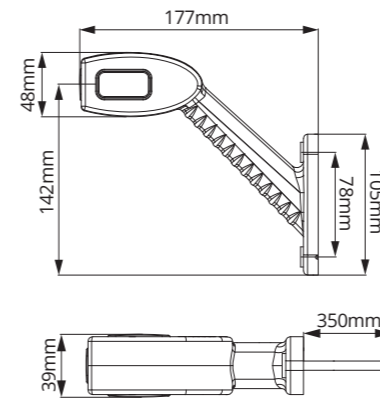
ECE APPROVED **R10 APPROVED** **2 YEAR WARRANTY** **IP67 INGRESS PROTECTION** **MULTI-VOLTAGE 10-30V**



Part Number	Left/Right	Marker Function		
		Front	Side	Rear
LAPCV305-L	L	✓	✓	✓
LAPCV305-R	R	✓	✓	✓

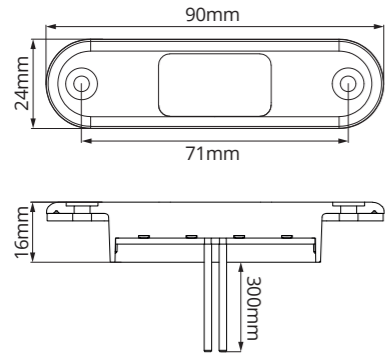
LAPCV306

ECE APPROVED **R10 APPROVED** **2 YEAR WARRANTY** **IP67 INGRESS PROTECTION** **MULTI-VOLTAGE 10-30V**



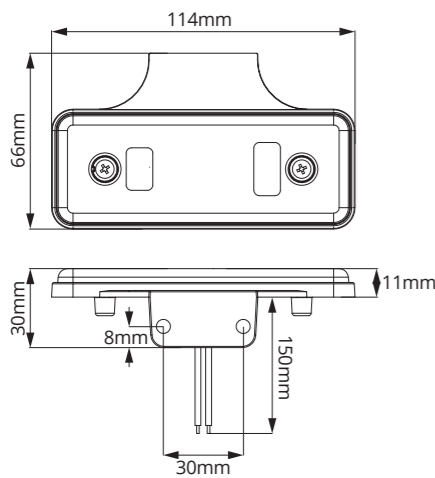
Part Number	Left/Right	Marker Function		
		Front	Side	Rear
LAPCV306-L	L	✓	✓	✓
LAPCV306-R	R	✓	✓	✓

LAPCV222



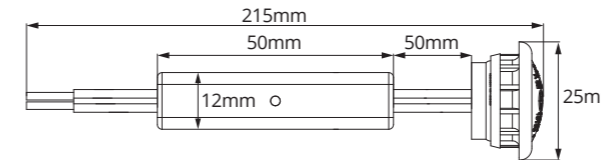
Part Number	LED Colour	Marker Function		
		Front	Side	Rear
LAPCV222-W	White	✓	-	-
LAPCV222-A	Amber	-	✓	-
LAPCV222-R	Red	-	-	✓
LAPCV222-B	Blue	-	-	-
LAPCV222-G	Green	-	-	-

LAPCV230



Part Number	LED Colour	Removable Bracket Included	Marker Function		
			Front	Side	Rear
LAPCV230-W	White	✓	✓	-	-
LAPCV230-A	Amber	✓	-	✓	-
LAPCV230-R	Red	✓	-	-	✓

LAPCV218



Part Number	LED Colour	Marker Function		
		Front	Side	Rear
LAPCV218-W	White	✓	-	-
LAPCV218-A	Amber	-	✓	-
LAPCV218-R	Red	-	-	✓

INTERIOR LIGHTING



MAIN FEATURES

- Dual voltage (12/24V)
- Three standard lengths (245, 400 & 555mm)
- Clear lens and frosted lenses available
- Manufactured with integral on/off switch
- Dimensions: 25mm (W) x 16mm (H)
- Supplied with 100mm cable length



Part Number	Effective Lumen	LEDs	Length	Lens Style
22785CKS-WV	380	9	245mm	Frosted
22776CKS-WV	600	18	400mm	Frosted
22761S-12/24V	380	9	245mm	Clear
22757S-12/24V	600	18	400mm	Clear
22762S-12/24V	378	27	555mm	Clear

INTERIOR LIGHTING

MAIN FEATURES

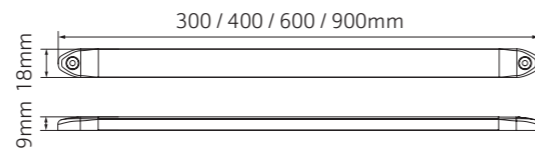
- 12V and 24V models
- Four standard lengths (300, 400, 600 & 900mm)
- Custom lengths available upon request
- Direct feed, touch switch & PIR functions
- 9mm low profile design
- 6000K cool white colour temperature
- Supplied with 300mm cable length



KEY POINTS



DIMENSIONS



DIRECT FEED



Direct Feed
Simple direct feed function

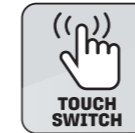
DIRECT FEED - 12V MODELS

Part Number	Length	Function	Eff. Lumens
LAP300DF/12V	300mm	Direct Feed	312
LAP400DF/12V	400mm	Direct Feed	442
LAP600DF/12V	600mm	Direct Feed	780
LAP900DF/12V	900mm	Direct Feed	1112

DIRECT FEED - 24V MODELS

Part Number	Length	Function	Eff. Lumens
LAP300DF/24V	300mm	Direct Feed	312
LAP400DF/24V	400mm	Direct Feed	442
LAP600DF/24V	600mm	Direct Feed	780
LAP900DF/24V	900mm	Direct Feed	1112

TOUCH SWITCH



On/Off Touch Switch
Manufactured with touch sensitive on/off switch

TOUCH ON/OFF SWITCH - 12V MODELS

Part Number	Length	Function	Eff. Lumens
LAP300TS/12V	300mm	Touch Switch	312
LAP400TS/12V	400mm	Touch Switch	442
LAP600TS/12V	600mm	Touch Switch	780
LAP900TS/12V	900mm	Touch Switch	1112

TOUCH ON/OFF SWITCH - 24V MODELS

Part Number	Length	Function	Eff. Lumens
LAP300TS/24V	300mm	Touch Switch	312
LAP400TS/24V	400mm	Touch Switch	442
LAP600TS/24V	600mm	Touch Switch	780
LAP900TS/24V	900mm	Touch Switch	1112

PIR MOTION SENSOR



PIR Motion Sensor
Manufactured with PIR motion sensor for touch-free operation

PIR MOTION SENSOR - 12V MODELS

Part Number	Length	Function	Eff. Lumens
LAP300PIR/12V	300mm	PIR Sensor	312
LAP400PIR/12V	400mm	PIR Sensor	442
LAP600PIR/12V	600mm	PIR Sensor	780
LAP900PIR/12V	900mm	PIR Sensor	1112

PIR MOTION SENSOR - 24V MODELS

Part Number	Length	Function	Eff. Lumens
LAP300PIR/24V	300mm	PIR Sensor	312
LAP400PIR/24V	400mm	PIR Sensor	442
LAP600PIR/24V	600mm	PIR Sensor	780
LAP900PIR/24V	900mm	PIR Sensor	1112