



# LLP & LLT LED RANGE

## MAIN FEATURES

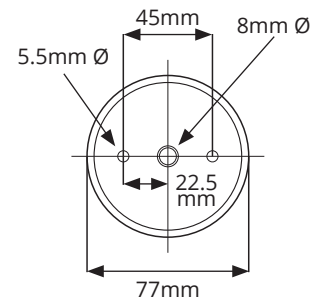
- Multi-voltage (10-130V)
- Two-point fixing
- LLPMV dimensions: 77mm (Ø) x 45mm (H)
- LLTMV dimensions: 77mm (Ø) x 95mm (H)
- Low power consumption (0.1 Amps)
- 4 flash patterns (static, single, double, quad)



LLTMV



LLPMV



## KEY POINTS



## LENS COLOURS



AMBER



GREEN

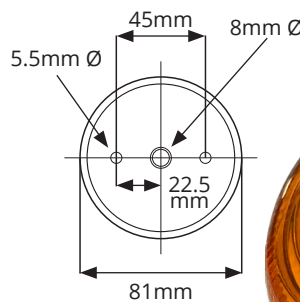


RED

# VLPMV LED RANGE

## MAIN FEATURES

- Multi-voltage (10-110V)
- Two-point fixing
- Quad flash only
- VLPMV dimensions: 81mm (Ø) x 55mm (H)
- Manufactured with 20 x white LEDs
- Low power consumption (0.1 Amps)



## KEY POINTS



## LENS COLOURS



AMBER



BLUE



GREEN



RED