



Quality & Reliability  
Guaranteed

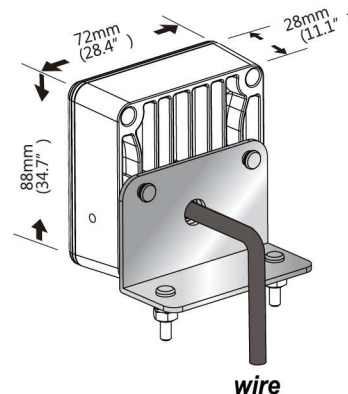
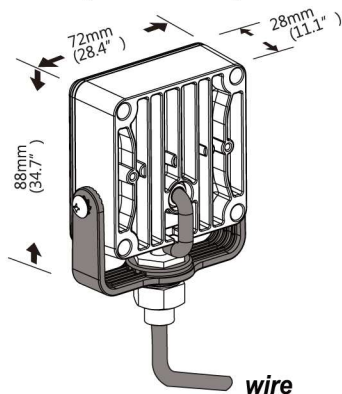
## SQ4 LED Lighthouse



The SQ4 Lighthouse integrates four high power 3rd generation LEDs in a robust aluminium housing along with an adjustable bracket for maximum versatility. Its compact design, dual voltage capability and optional fixed mounting bracket mean that it is suitable for all types of application.

### Specifications

- Dual Voltage: 12-24V D.C.
- 18 flash patterns
- Steady on function
- Supplied with single point fix adjustable mounting bracket
- Ability to link multiple units for synchronised / alternate flash
- IP67 Rated Ingress Protection
- Polycarbonate Lens
- Reverse Polarity Protection
- Ultra Low Power Consumption– max. current draw: 0.55A @ 12.8V / 0.26A @ 24V
- Operating Temperature: -30 to 65°C
- 2 year warranty



### Part Number

SQ4A  
SQ4B  
SQ4R  
SQ4W

### Colour

- Amber
- Blue
- Red
- White

Optional Fixed Mounting Bracket  
MBGSSQ4 L Bracket - 2 bolt fitting